

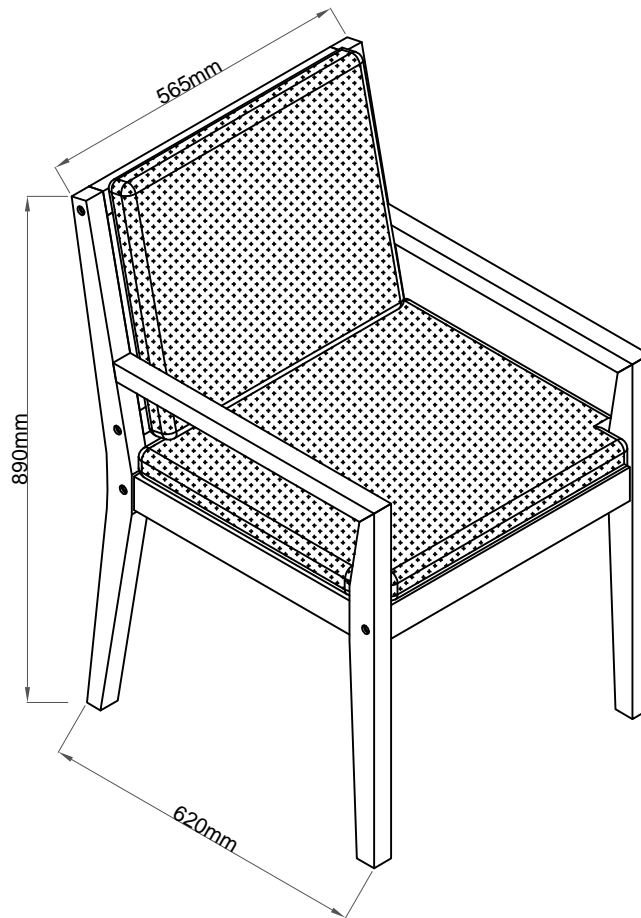


ASSEMBLY INSTRUCTION

LILLIAN OUTDOOR CHAIR

ITEM CODE 65487



Imported by Amart Furniture Pty Ltd, Qld, Brisbane Australia.
For any assistance with assembly or for missing parts please phone
Amart Furniture, Customer Service Free call 1800 009 466



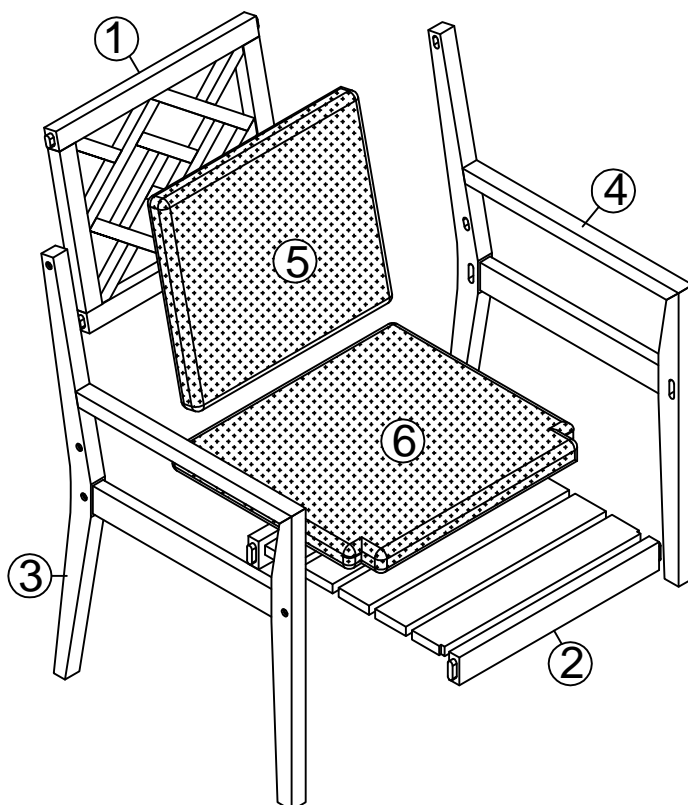
PRE-ASSEMBLY PREPARATION

Before you start:

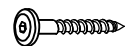

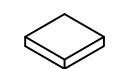
1. Choose a clean, level, spacious assembly area. Avoid hard surfaces that may damage the product
2. Take care when lifting. Product should be assembled as near as possible to the point of use
3. Ensure that you have all required contents for complete assembly
4. Always read the assembly instructions carefully before beginning assembly.
5. Keep all hardware parts and packaging out of reach of small children.
6. Do not over tighten the screws and bolts as this may damage the threads

	
ALLOW 20 MINUTES	2 PEOPLE REQUIRED
ADDITIONAL TOOLS REQUIRED	

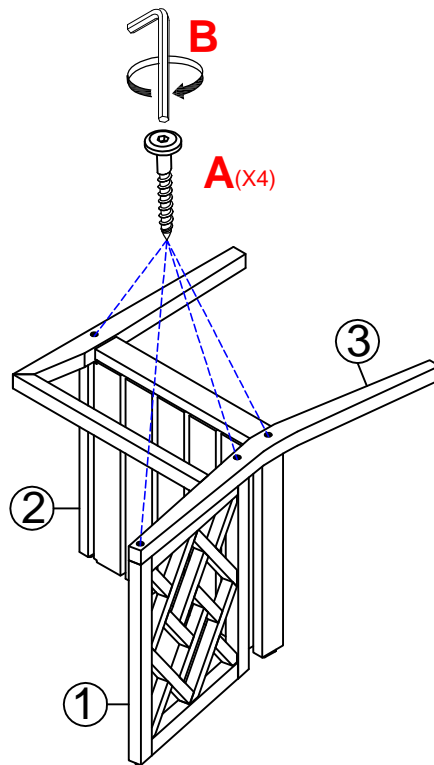
PARTS LIST



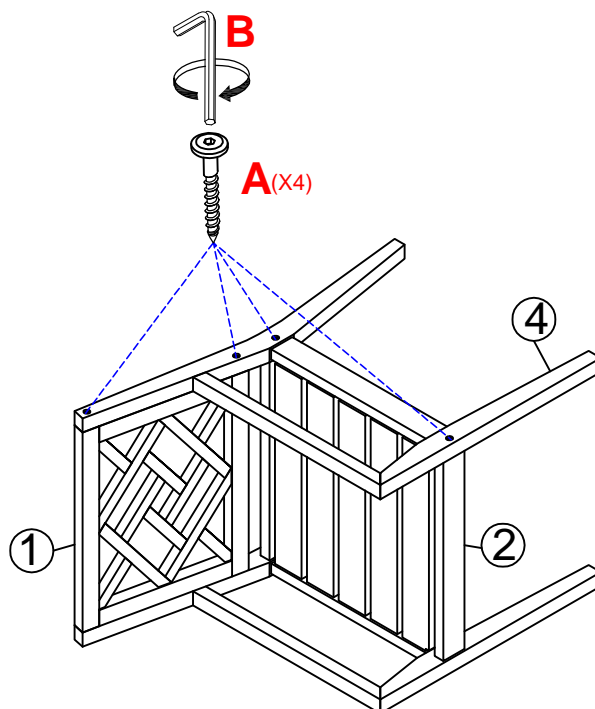
NO.	PARTS LIST	QT'Y
1	Back frame	1 pc
2	Seat frame	1 pc
3	Left leg	1 pc
4	Right leg	1 pc
5	Back cushion	1 pc
6	Seat cushion	1 pc

NO.	HARDWARE LIST		QT'Y
A		Screw M6x100mm	8 pcs
B		Allen Key 4mm	1 pc
C		Adhesive felt pad 25x25mm	4 pcs

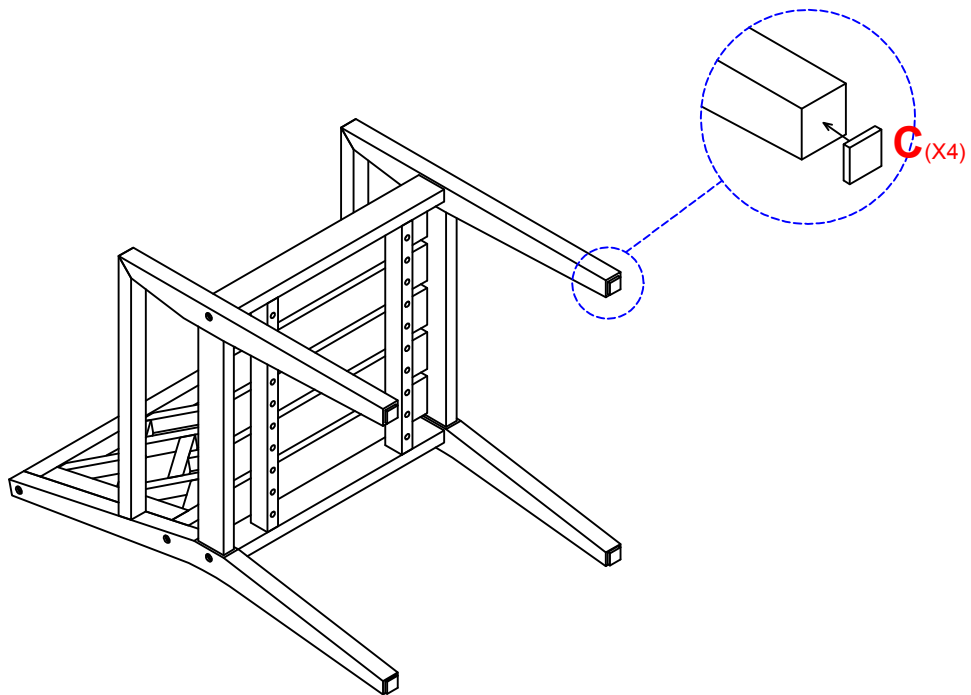
STEP 1: Attach 3 onto 1 and 2 using the screws (A) tighten it up by using an allen key (B)



STEP 2: Attach 4 onto 1 and 2 using the screws (A) tighten it up by using an allen key (B)

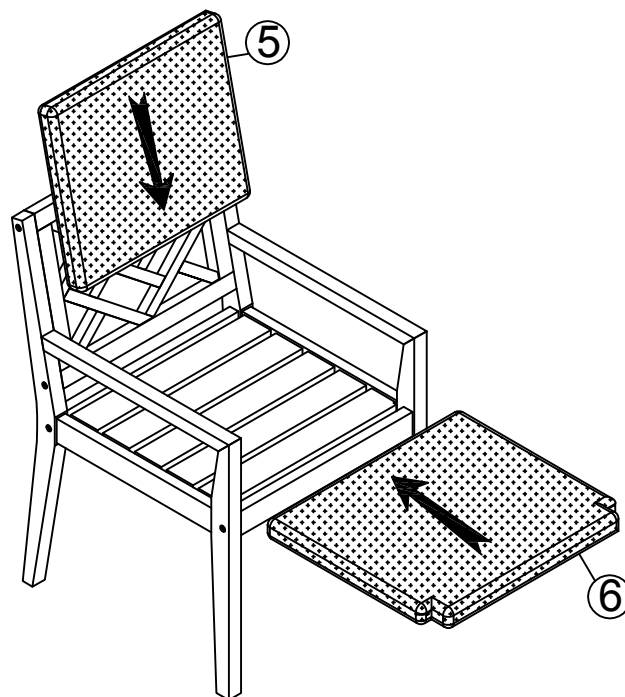


STEP 3: Attach adhesive felt pad (C) onto the legs.

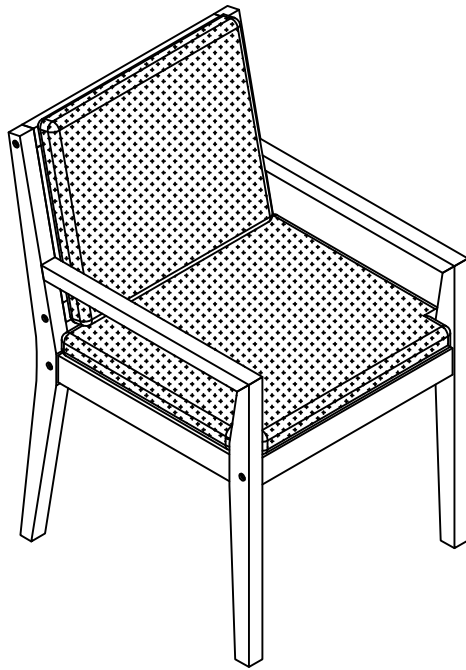


Caution: Failure to attach the adhesive felt pads underneath legs can result in excess moisture absorption resulting in cracking.

STEP 4: Put **5** and **6** into chair.



ASSEMBLY IS COMPLETE



IMPORTANT: CARE GUIDE FOR YOUR TIMBER FURNITURE

Congratulations! You have just purchased a quality product from Amart furniture. Please read on for important information regarding your purchase...

A multi-step finish is applied to all our furniture, but all wood comes from nature. Because of this, there will be natural variations in surface texture and grain like knots, mineral streaks and sap runs that may affect the finish.

These differences in character are not defects, but distinctions that make each piece of furniture unique.

Our furniture is built to last. Following these steps for basic care should protect your investment for years to come.

CUSHIONS:

- Direct exposure to the Sun's harmful UV rays is likely to cause rapid colour fading to fabrics. For best results we recommend avoiding exposure to direct sunlight
- To ensure product longevity it is recommended outdoor products are not left permanently exposed to the elements
- Spot clean using mild detergent and a soft clean cloth. Rinse in lukewarm water
- Do not tumble dry
- Do not bleach
- Do not dry clean
- Cool iron only

TIMBERS:

- Prolonged exposure of timber items to the elements may cause premature deterioration
- Regular vacuuming and dusting of items is recommended
- Timber needs regular oiling. Please contact store of purchase for further details
- Minor cracking of timber is a natural process and will not compromise the strength of the timber
- To extend the life of your product the use of an Amart approved Outdoor Furniture Cover is highly recommended. Please contact store of purchase for further details

